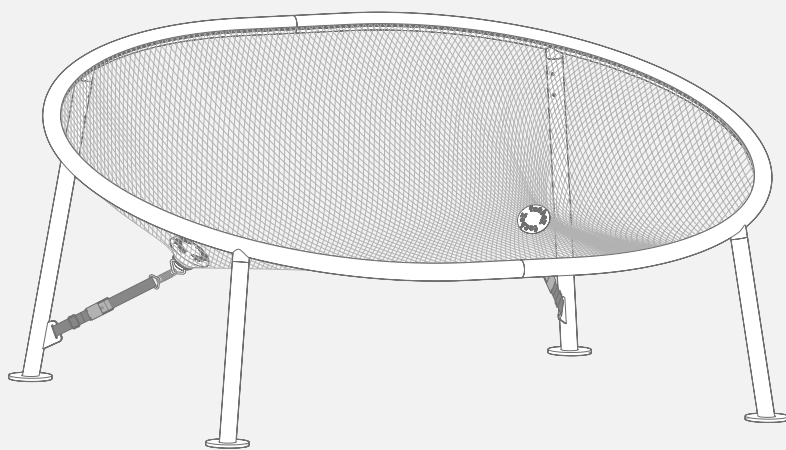


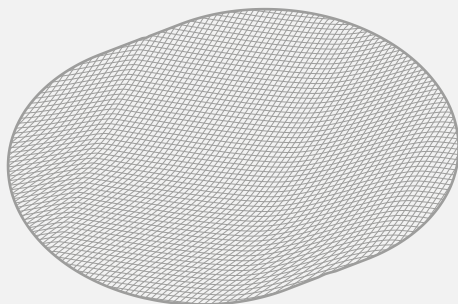
# NETORIOUS NET

**fatboy®**



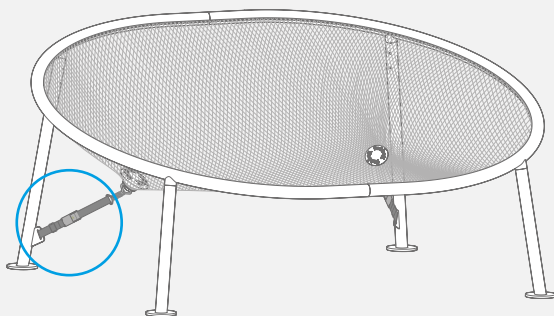
## ASSEMBLY INSTRUCTIONS

# ASSEMBLY INSTRUCTIONS



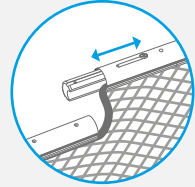
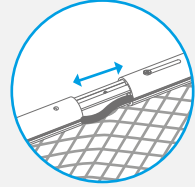
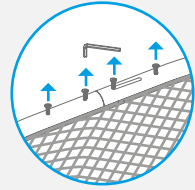
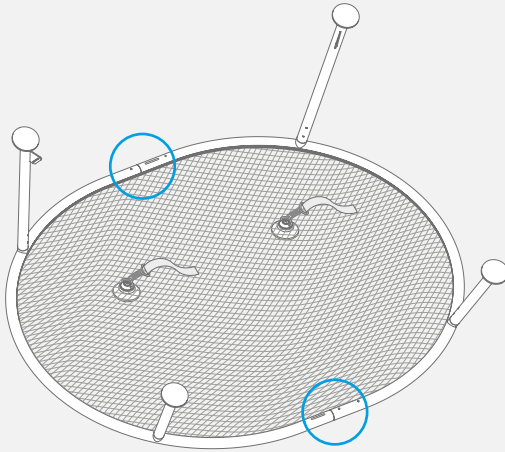
- EN** Contents of this box
- FR** Contenu du carton
- DE** Der Inhalt des Kartons
- ES** Contenido de la caja

**1**

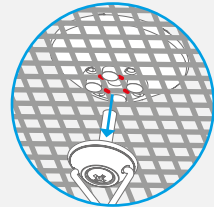
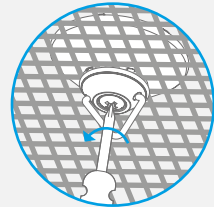
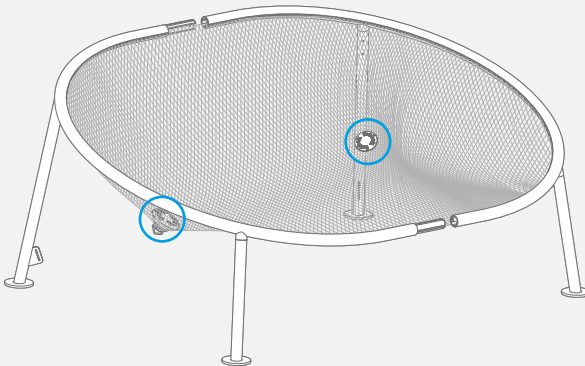


- EN** Loosen & release.
- FR** Desserrez et relâchez.
- DE** Lockern und Trennen.
- ES** Destrabar para liberar.

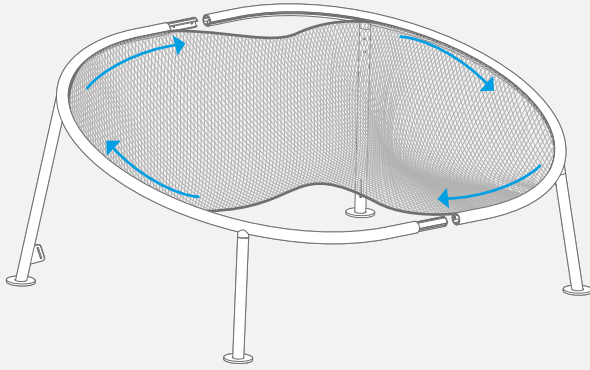
2



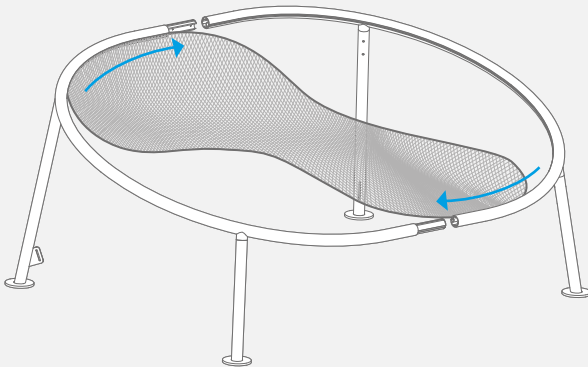
3



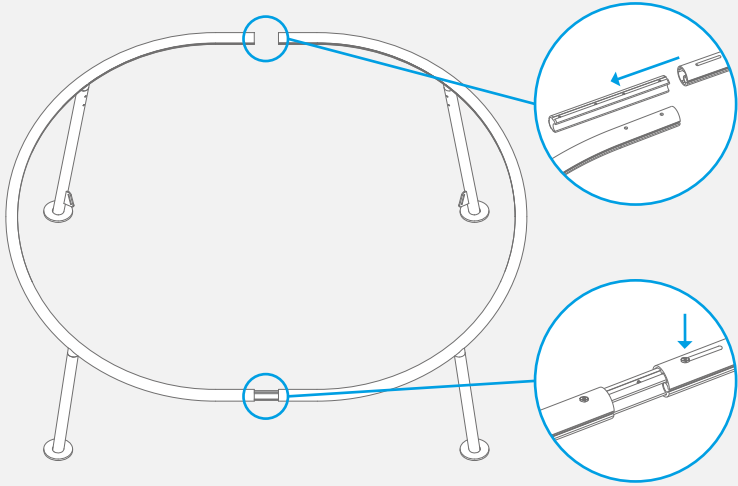
4



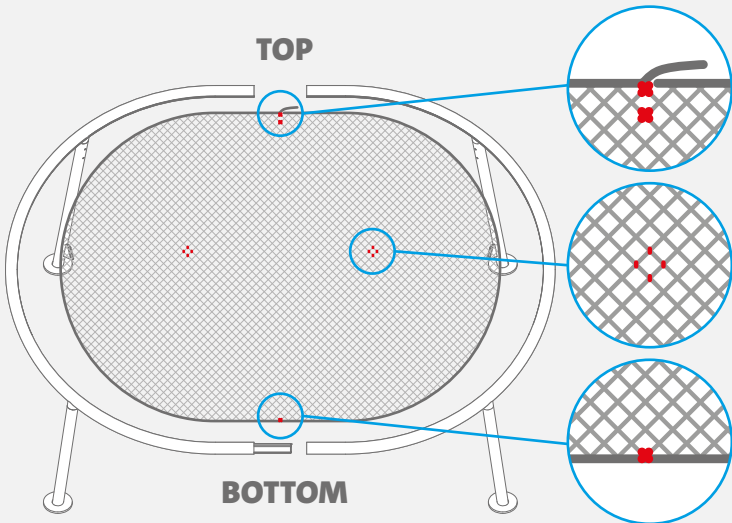
5

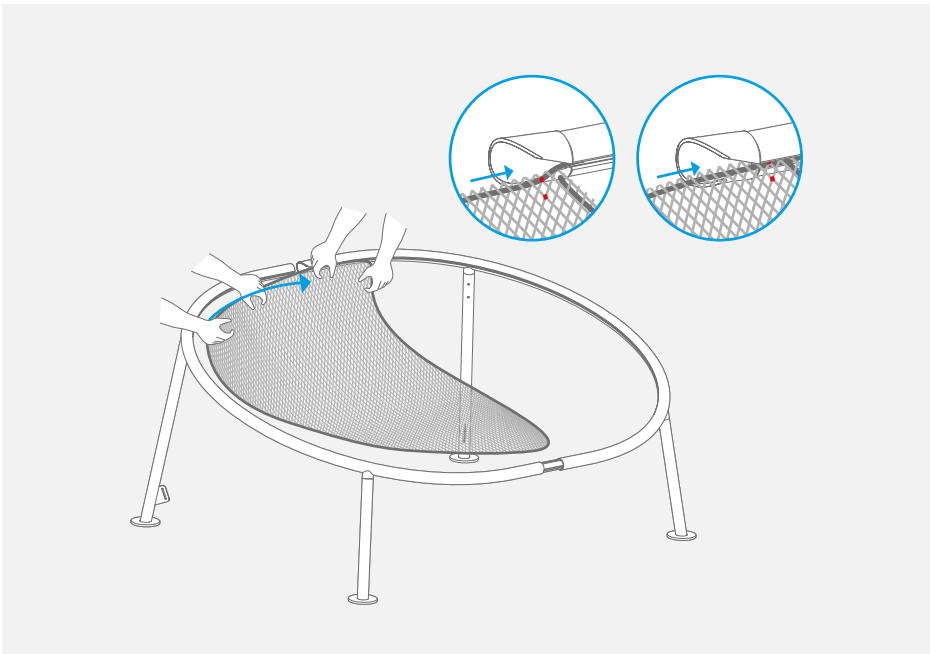
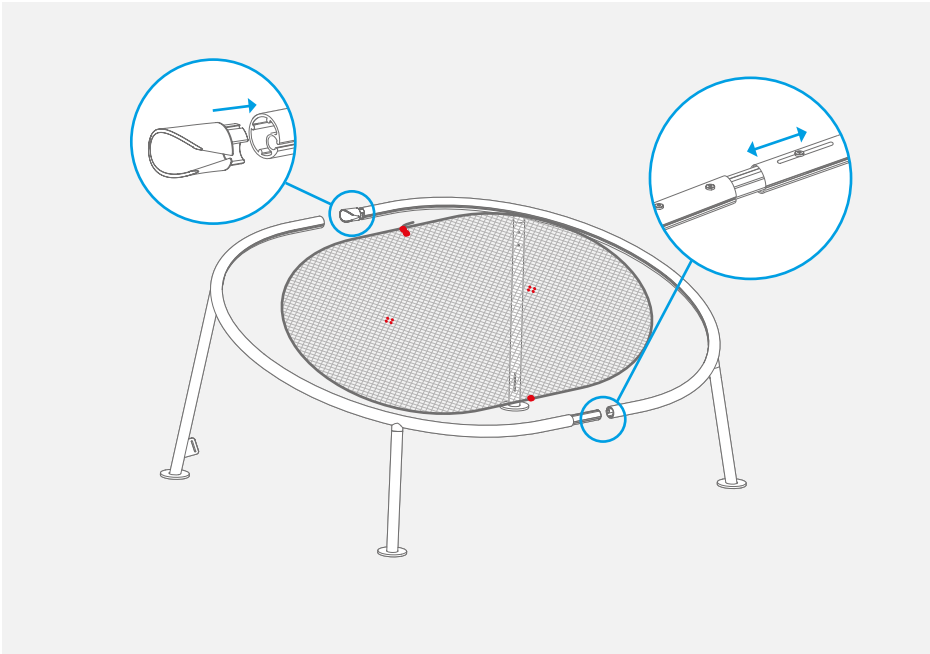


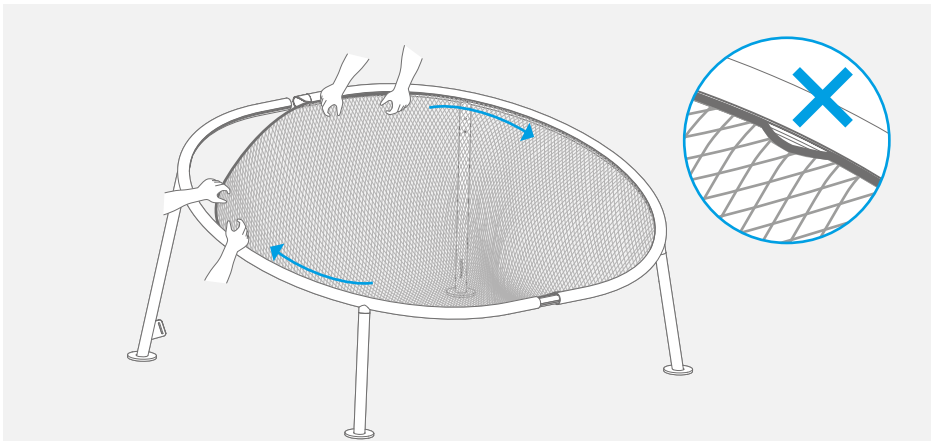
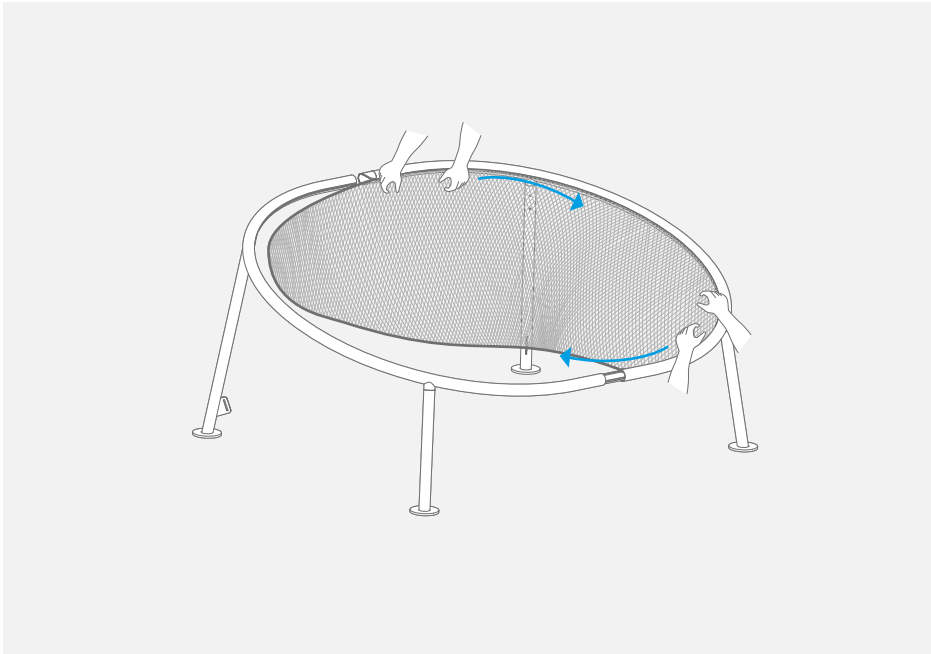
6



7

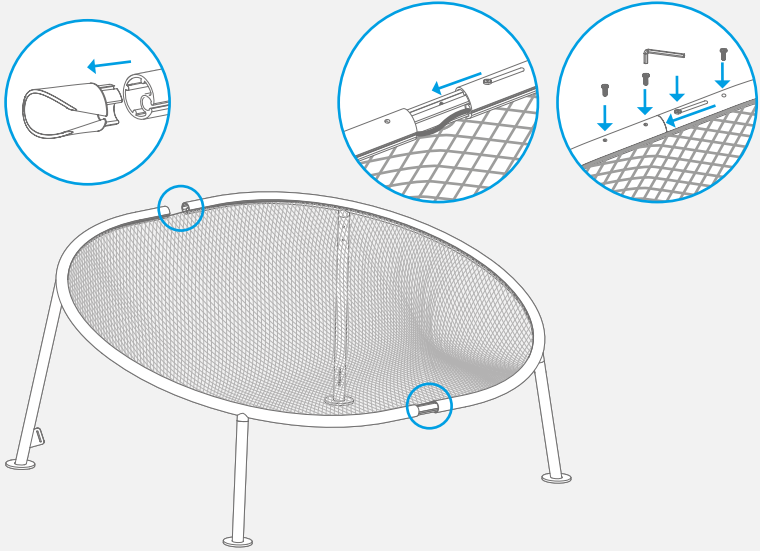




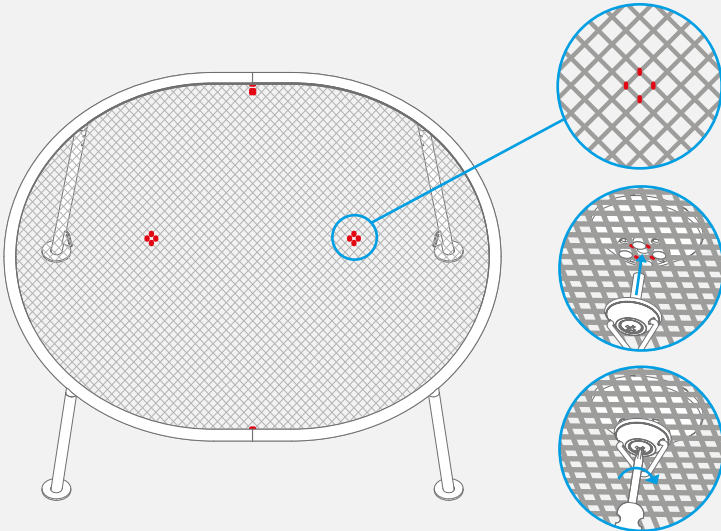


- EN** Make sure no 'loops' of net are out of the rail during assembly.
- FR** Veillez à ce qu'aucune boucle du filet ne dépasse des rails pendant montage.
- DE** Stellen Sie sicher, dass sich während der Montage keine Netzschnähen außerhalb der Schiene befinden.
- ES** Asegúrese de que no haya 'bucles' fuera del riel durante el montaje.

8



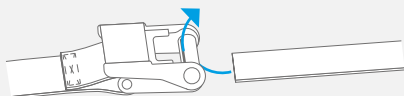
9





# 10

10.1



10.2

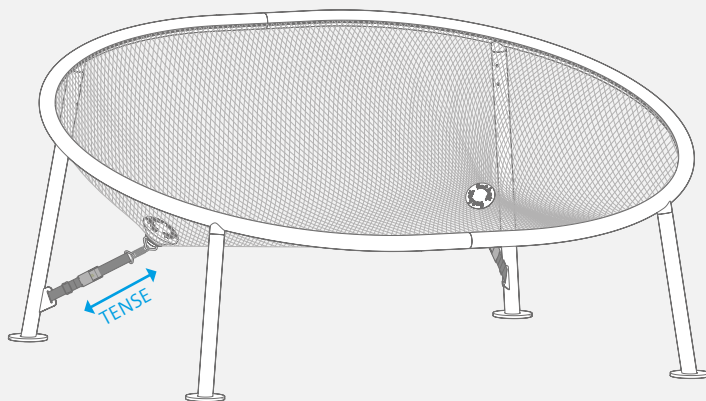
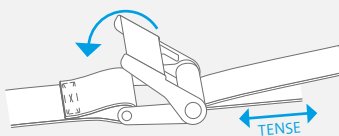


10.4

10.3



10.5



- EN** Do not overtighten!
- FR** Ne serrez pas trop!
- DE** Nicht zu fest anziehen!
- ES** No tensar demasiado!

## **EN**

This document is part of the appliance.  
Fatboy the Original, Netorious

Terms of the guarantee: We thank you for purchasing this Fatboy® product and trust that you will enjoy its use. Should you need to use our guarantee service, please contact your Fatboy® dealer. For more information about our dealers, please visit [www.fatboy.com](http://www.fatboy.com).

**DO YOU NEED OUR SERVICES OR  
SUPPORT? GO TO  
SERVICE.FATBOY.COM**

**EN** This is not a toy.

**FR** Ce n'est pas un jouet.

**DE** Das is kein spielzeug.

**ES** Esto no es un juguete.



# **TIPS & TRICKS**



This manual in other languages?  
Go to [www.Fatboy.com](http://www.Fatboy.com)